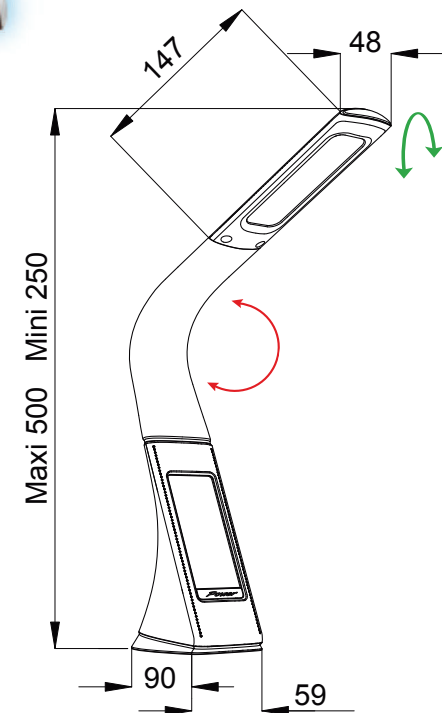


Les lampes

TABLE/DESK LAMPS

Gilda



Document non contractuel

A++	} LED
A+	
A	
B	
C	
D	

Les lampes de ce luminaire ne peuvent pas être changées.

230 lumen	50 l/watt	5000 K°	80 CRI	30 000 h	5 Kwh/1Kh
LED	5W				

ALUMINOR  
LUMINAIRES

Quartier de la Roseyre - C.D.15 N°852 - 06390 Contes - France  
Tél : 33 (0)4 93 91 60 10 - Fax : 33 (0)4 93 91 60 11  
www.aluminor.fr - Email: contact@aluminor.fr





LAMPE DE TABLE  
TABLE DESK LAMP  
TISCH BÜROLEUCHTE  
LAMPÁRA DE MESA  
STAANDE LAMP  
LAMPADA DA TAVOLO  
CANDEIEIRO DE MESA



Acier  
Steel  
Stahl  
Acero  
Staal  
Acciaio  
Aço



LAMPADAIRE  
UPLIGHT FLOOR LAMP  
FLUTER STEHLEUCHTE  
LAMPÁRA DE PIE  
VLOERLAMP  
LAMPADA DA TERRA  
POSTE DE ILUMINAÇÃO



Aluminium  
Aluminium  
Aluminium  
Aluminio  
Aluminium  
Alluminio  
Alumínio



APPLIQUE  
WALL BRACKET  
WANDLEUCHTE  
APLIQUE  
WANDLAMP  
LAMPADA DA PARETE  
LAMPADA DE PAREDE



Matière synthétique  
Plastic  
Kunststoff  
Plástico  
Plastic  
Plastica  
Plástico



SUSPENSION  
PENDANT  
HÄNGELAMPE  
SUSPENSIÓN  
SCHERSING  
LAMPADARIO A SOSPENSIONE  
SUSPENSÃO



Bois  
Wood  
Holz  
Madera  
Hout  
Legno  
Madeira



DOUBLE ISOLATION  
PROTECTION CLASS II  
SCHUTZKLASSE II  
CLASE DE PROTECCIÓN II  
BESCHERMINGSKLASSE II  
CLASSE DI PROTEZIONE II  
CLASSE DE PROTEÇÃO II



Aj tissus  
Fabric  
Textil  
Textil  
Textiel  
Textil  
Textil



PRISE DE TERRE  
PROTECTION CLASS I  
SCHUTZKLASSE I  
CLASE DE PROTECCIÓN I  
BESCHERMINGSKLASSE I  
CLASSE DI PROTEZIONE I  
CLASSE DE PROTEÇÃO I

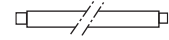


Verre  
Glass  
Glas  
Vidrio  
Glas  
Vetro  
Vidro



PROTECTION CLASS III  
PROTECTION CLASS III  
SCHUTZKLASSE III  
CLASE DE PROTECCIÓN III  
BESCHERMINGSKLASSE III  
CLASSE DI PROTEZIONE III  
CLASSE DE PROTEÇÃO III

### CFL or LINEAR FLUORESCENT



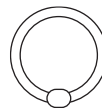
G5  
from 24W to 54W  
T5 according to product



E27 or E14 CFL  
from 8W to 20W  
according to product



2G7 CFL  
from 9W to 11W  
according to product



G10q or 2GX13 CFL  
22W T5



2G11 CFL  
55W according to product



E27 or E14 CFL standard  
from 8W to 20W  
according to product

### HALOGEN LV & ELV



R7s 230/330W



G9 230 V  
from 28W to 33W  
according to product

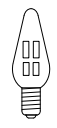


G4 or GY 6.35 12V 10 to 50W  
according to product



E27 or E14 standard halo  
from 18W to 42W  
according to product

### LED



E27; E14; GU10; GY 6.35; G9  
Utilisation possible de lampe LED "Retrofit"  
"Retrofit" LED bulbs availables  
mogelijke gebruik van LED lamp "Retrofit"

## Glossaire / Glossary/Woordenlist Glossario / Glossário



Interrupteur à pied  
Foot switch  
Fußschalter  
Interruptor de pie  
Voetschakelaar  
Interruttore piede  
Interruptor pé



Interrupteur sensitif, 4 positions  
Sensitive switch, 4 steps  
Berührungsschalter, 4 Positionen  
Interruptor sensitivo 4 posiciones  
Sensor schakelaar 4 posities  
Interruttore del sensore, 4 posizioni  
Interruptor do sensor, 4 posições



Interrupteur sur fil  
Lead switch  
Schnurzwischenhalter  
Interruptor intermedio de cordón  
Kabelschakelaar  
Interruttore su filo  
Interruptor em fio



Interrupteur sur douille  
Switch on socket  
Fassungsschalter  
Interruptor en casquillo  
Socket schakelaar  
Interruttore su portalampada  
Interruptor na suporte da lâmpada



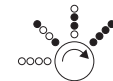
Interrupteur sur base  
Switch on base  
Schalter auf Lampenfuß  
Interruptor en base  
Schakelaar op de basis  
Interruttore sulla base  
Interruptor com base



Interrupteur 2 intensités sur base  
Two way switch on base  
Zweistufenschalter auf Fuß  
Interruptor 2 intensidades en base  
schakelaar 2 intensiteiten op de basis  
Interruttore 2 intensità sulla base  
Interruptor 2 intensidades com base



Variateur de lumière  
Dimmer  
Dimmer  
Regulador de intensidad  
Dimmer  
Variatore di luminosità  
Regulador para iluminação



Interrupteur 4 positions  
Four ways switch  
Vierstufenschalter  
Interruptor 4 posiciones  
Schakelaar 4 posities  
Interruttore 4 posizioni  
Interruptor 4 posições

# ALUMINOR

L U M I N A I R E S

ALUMINOR LUMINAIRE  
Quartier de la Ros eyre - C.D. 15 N°852 - 06390 Contes - France  
Tél. : 33 (0)4 93 91 60 10 - Fax : 33 (0)4 93 91 60 11  
www.aluminor.fr - E-mail : contact@aluminor.fr