

Chromium version SUCCESS 80



Chromium-plated architect lamp 8 W LED bulb E 27

2016 novelty
Equipped with a 8W LED bulb



80 cm-
articulated
arm



LED lighting

Low consumption and performing

LED Chrome Success is fitted with a performing LED bulb of 750 Lumens. Very low electric consumption. It has a ventilated shade and is recovered inside with an enamelled painting for a better reflection of the lighting. Source's lifetime: 30 000 hours.

Qualitative and economic lighting !

DESIGN

Top of the range lamp

The lamps from the SUCCESS range are architect lamps with universal and timeless design that have been attracting for decades. The chromium-plated version is the top of the range version and it is very successful. Success has the particularity to have the inferior arm made with 3 metallic tubes ensuring great robustness.

ERGONOMICS

And handiness

Very handy with the rotating double-articulated arm equipped with balanced springs making it possible to adjust it in all directions.



Ball-joint

Switch on the
head

Inside of the lampshade enamelled:
optimum reflection of the luminous flux



“SUCCESS CHROME 80 : the top-of-the-range and very handy architect lamp at an affordable price. Fits as well offices as artistic activities.”

Chrome SUCCESS 80

Technical information

Chromium-plated clamp, gap 5,5 cm



Ballasted chromium-plated base Ø20cm



SUPPLIED

SWITCH

On the head: ON / OFF

MOVEMENTS

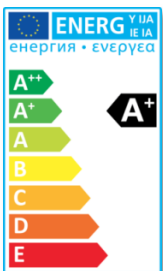
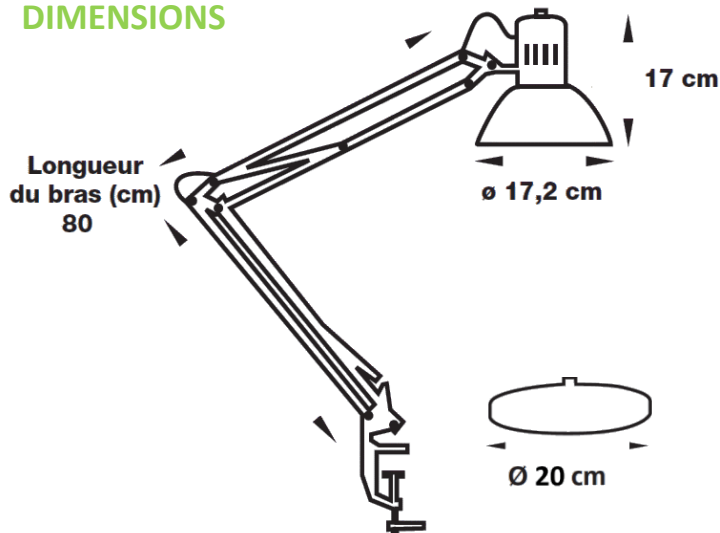
Articulated and rotating arm
Adjustable head

MATERIALS

Chrome steel
Recyclable aluminium

Supplied with clamp AND base

DIMENSIONS



SOURCE



1 LED bulb
8W E27 (fitted)

Lifetime: 30 years

DIRECTIVES

CE RoHS



SAP no.	Colour	Energy consumption KW/1000 h	Lm	Lm/W	couleur T°	CRI	Source's lifetime*	Warranty	Origin	Net weight	EAN code
NC	Chrome	8	750	94	3000 K	>80	30 years	1 year		5,52 kg	NC

* Calculated on the basis of a 1000 hours use of the lamp per year